

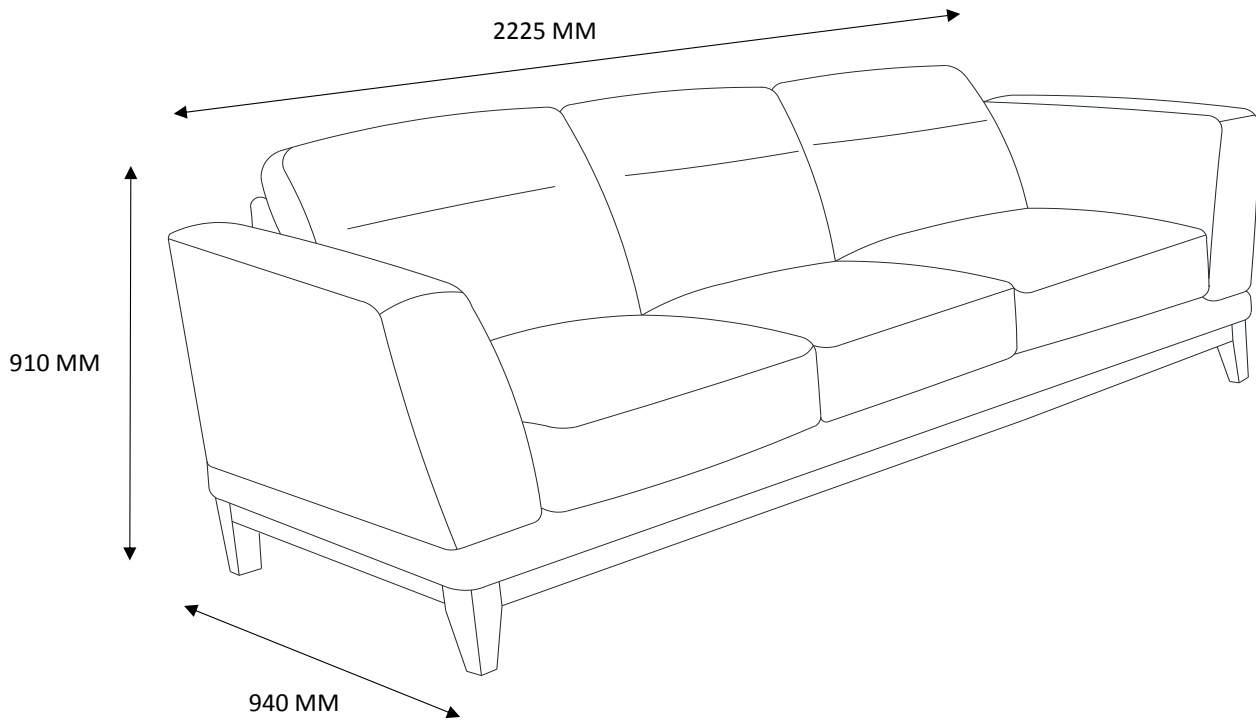


ASSEMBLY INSTRUCTION

**GABRIELLA 3 SEATER**

ITEM CODE - 66456

Imported by Amart Furniture Pty Ltd, Qld, Brisbane Australia.  
For any assistance with assembly or for missing parts please  
phone Amart Furniture, Customer Service Free call 1800 351 084



Imported by Amart Furniture Pty Ltd, Qld, Brisbane Australia.  
For any assistance with assembly or for missing parts please phone Amart  
Furniture, Customer Service Free call 1800 351 084

## PRE-ASSEMBLY PREPARATION

### BEFORE YOU START...

1. CHOOSE A CLEAN, LEVEL, SPACIOUS ASSEMBLY AREA. AVOID HARD SURFACES THAT MAY DAMAGE THE PRODUCT.
2. TAKE CARE WHEN LIFTING. PRODUCT SHOULD BE ASSEMBLED AS NEAR AS POSSIBLE TO THE POINT OF USE.
3. CHECK AND ENSURE THAT YOU HAVE ALL THE REQUIRED CONTENTS FOR COMPLETE ASSEMBLY.
4. ALWAYS READ THE ASSEMBLY INSTRUCTIONS CAREFULLY BEFORE BEGINNING ASSEMBLY.
5. THE PACKAGING AND CONTENTS CAN BE CHOKING HAZARDS, THEREFORE KEEP OUT OF REACH OF SMALL CHILDREN AT ALL TIMES.
6. DO NOT OVER TIGHTEN THE SCREWS AND BOLTS AS THIS MAY DAMAGE THE THREADS.

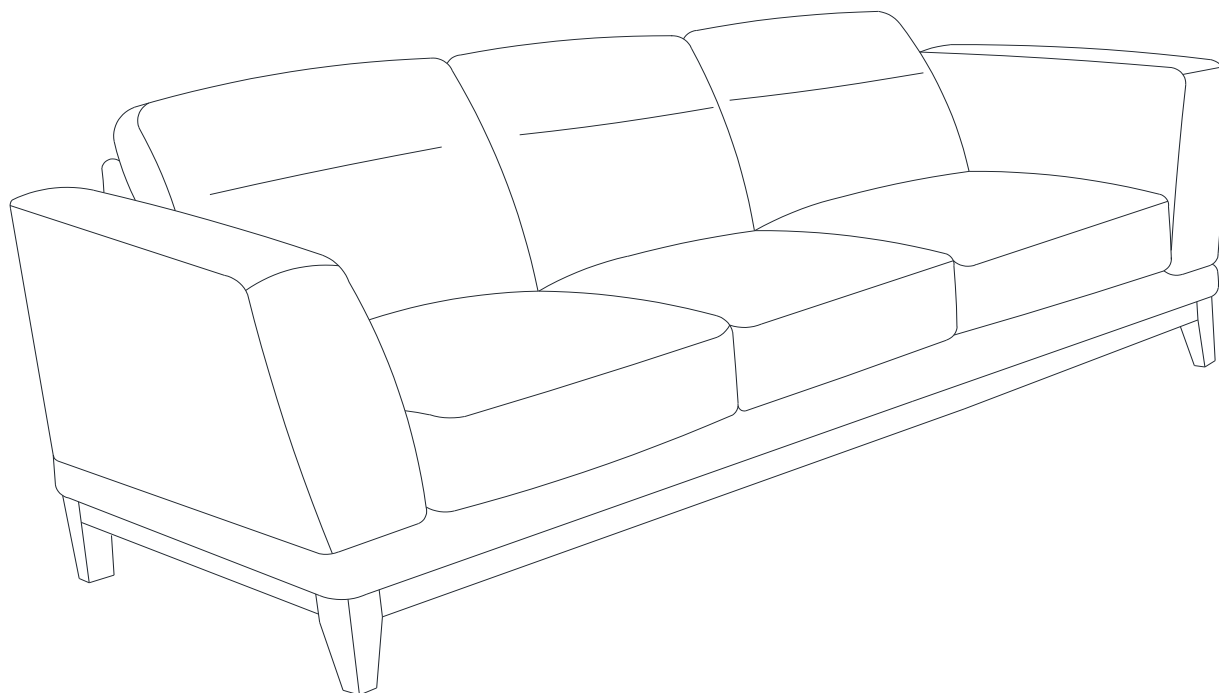


**ALLOW 20 MINUTES**


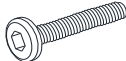



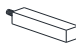



**2 PEOPLE REQUIRED**

## PARTS LIST



### Hardware List

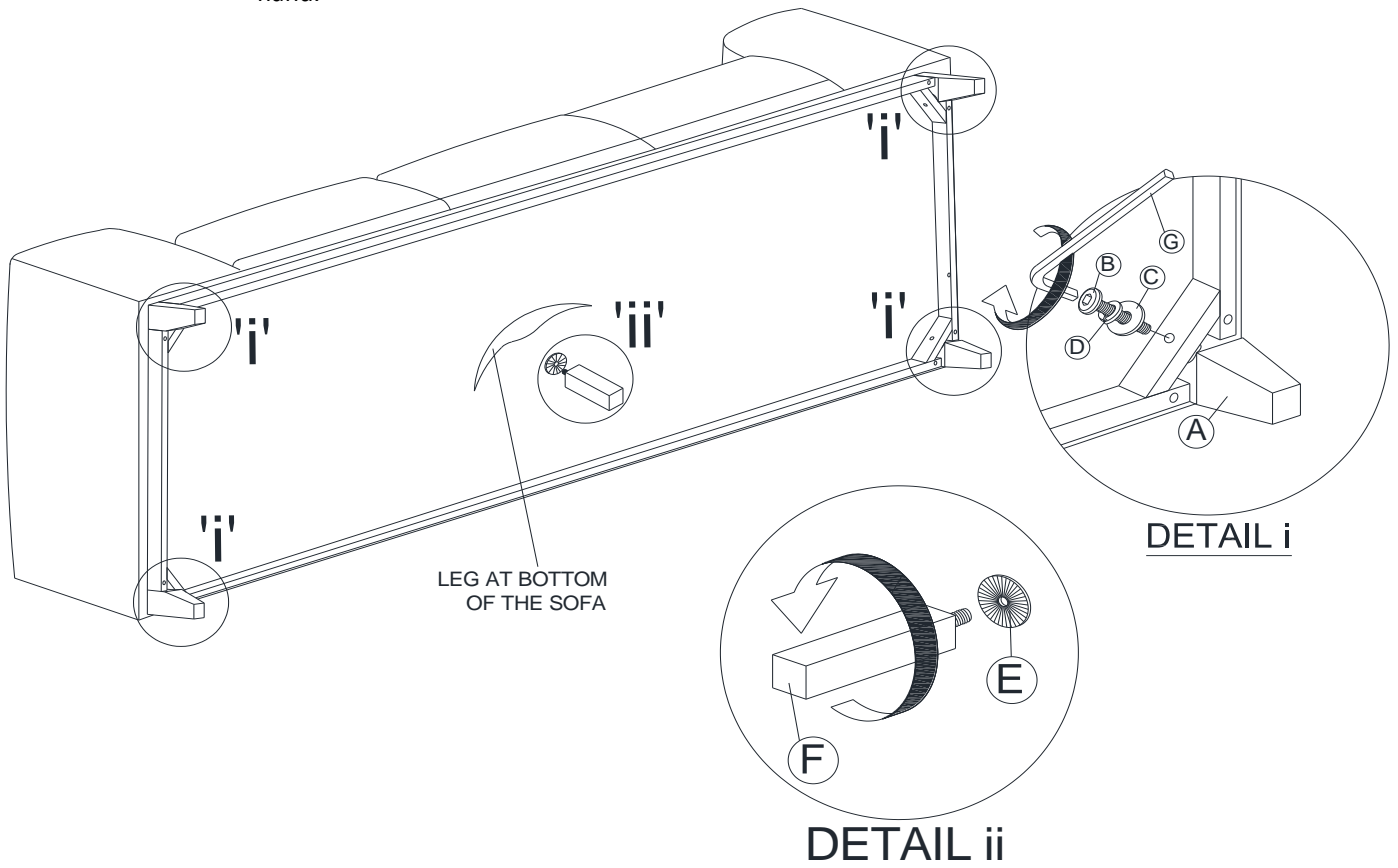
<b>HARDWARE LIST</b>			
<b>NO</b>	<b>DESCRIPTION</b>		<b>QTY</b>
A	WOODEN LEG		4 PCS
B	M8x25mm		4 PCS
C	FLAT WASHER		4 PCS
D	SPRING WASHER		4 PCS
E	PLASTIC WASHER		1 PC
F	SUPPORT LEG		1 PC
G	M5 ALLEN KEY		1 PC

PLEASE TAKE NOTE: PIECES REQUIRE FOR ASSEMBLY ARE LOCATED INSIDE THE DUST COVER  
UNDERNEATH SOFA

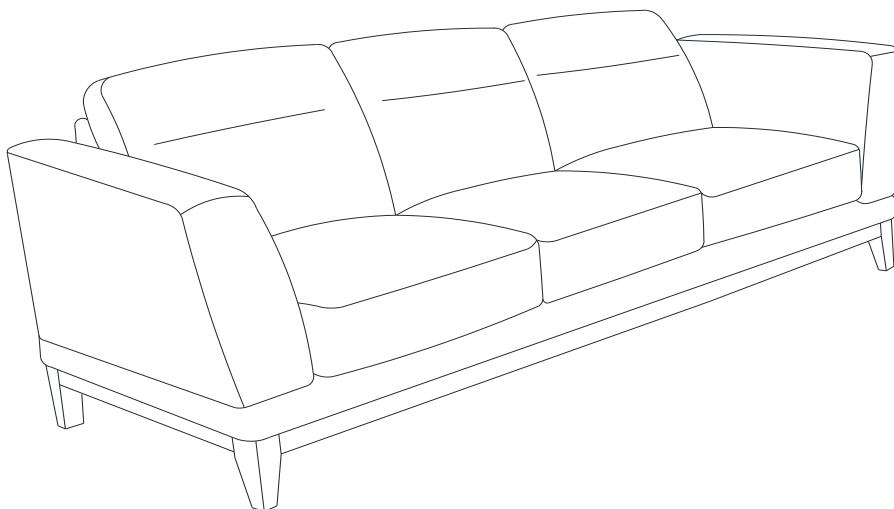
## Step 1

DETAILS (i) - Align base plate of each foot (A) with the pre-threaded holes in the undersides of the sofa as shown in the below diagram. Insert Bolt (B) with washer (C) and (D) and tighten by turning clockwise using allen key (G)

DETAILS (ii) - Align base plate of each foot (E) with the pre-threaded holes in the undersides of the sofa as shown in the below diagram. Insert leg (F) and tighten by turning clockwise using hand.



## STEP 2 ASSEMBLY COMPLETED



**IMPORTANT: PLEASE ENSURE FEET ARE TIGHTENED SECURELY BEFORE USE!**  
**WARNING - Do not drag lounge on any surface due to timber base, must be lifted.**  
**Two Person Lift Recommended**

# CARE AND MAINTENANCE

## LEATHER CARE (FRAME)

WHEN NECESSARY BRUSH OR VACUUM AWAY DUST AND GRIT.  
WIPE OVER WITH A SOFT, CLEAN, DYEFAST CLOTH.

FOR SPOTS AND SPILLS:

WIPE EXCESS LIQUID UP IMMEDIATELY WITH AN  
ABSORBANT CLOTH OR SPONGE.

FOR OVERALL CLEANING:

WE RECOMMEND CLEANING EVERY 3-4 MONTHS WITH

· LEATHER CLEANER FOLLOWED BY

APPLICATIONS OF

· LEATHER PROTECTOR.

ALWAYS FOLLOW DIRECTIONS ON PACKS.

NOTES:

ACCUMULATION OF PERSPIRATION AND BODY

OILS ON ARMPADS, HEADREST ECT. MAY

DAMAGE YOUR LEATHER - THESE AREAS MAY

REQUIRE MORE FREQUENT CLEANING.

DO NOT EXPOSE LEATHER TO DIRECT SUNLIGHT;

INTENSIVE HEAT; WEATHER; OR SOAK

UNNECESSARILY. ALWAYS AVOID EXCESSIVE HARD

RUBBING.

DO NOT DRY CLEAN OR MACHINE WASH.

DO NOT USE SADDLE SOAP; DETERGENTS;

SOLVENTS; ABRASIVES; UNIDENTIFIED LEATHER

CLEANERS; SUEDE CLEANERS OR ANY PRODUCTS

CONTAINING SILICON OR SOLVENTS.